

Ultra-Flow™ Pump Owner's Manual

IMPORTANT SAFETY INSTRUCTIONS READ AND FOLLOW ALL INSTRUCTIONS SAVE THESE INSTRUCTIONS

Table of Contents

SECTION I.	GENERAL INFORMATION.	2
SECTION II.	TROUBLESHOOTING.	4
SECTION III.	REPLACEMENT PARTS	5
SECCIÓN I.	INFORMACIÓN GENERAL	8
SECTION I.	GÉNÉRALITÉS	15

WARNING

Before installing this product, read and follow all warning notices and instructions accompanying this pump. Failure to follow safety warnings and instructions can result in severe injury, death, or property damage. Call (800) 831-7133 for additional free copies of these instructions.

Important Notice



Attention Installer.

This manual contains important information about the installation, operation and safe use of this product. This information should be given to the owner/operator of this equipment.

WARNING



Risk of electrical shock or electrocution.

This pool pump must be installed by a licensed or certified electrician or a qualified pool serviceman in accordance with the National Electrical Code and all applicable local codes and ordinances. Improper installation will create an electrical hazard which could result in death or serious injury to pool users, installers, or others due to electrical shock, and may also cause damage to property.

Always disconnect power to the pool pump at the circuit breaker before servicing the pump. Failure to do so could result in death or serious injury to serviceman, pool users or others due to electric shock.



Listed
227T



Certified
LR60957



Listed



Listed

Pentair Pool Products

1620 Hawkins Ave., Sanford, NC 27330 • (919) 774-4151

10951 West Los Angeles Ave., Moorpark, CA 93021 • (805) 523-2400



Pentair
Pool Products™

Because **reliability** matters most

NOTE

When pump is mounted permanently within 5 ft. of the inside walls of a swimming pool, you must use a No. 8 AWG or larger conductor to connect to bonding conductor lug.

⚠ WARNING

To reduce the risk of injury, do not permit children to use this product unless they are closely supervised at all times.

⚠ CAUTION

This pump is for use with permanently installed pools and may also be used with hot tubs and spas if so marked. Do not use with storable pools. A permanently installed pool is constructed in or on the ground or in a building such that it cannot be readily disassembled for storage. A storable pool is constructed so that it may be readily disassembled for storage and reassembled to its original integrity and has a maximum dimension of 18 feet (5.49m) and a maximum wall height of 42 inches (1.07m).

⚠ CAUTION

For hot tubs and spa pumps, do not install within an outer enclosure or beneath the skirt of a hot tub or spa unless so marked.

SECTION I. GENERAL INFORMATION.

A. THE PUMP STRAINER.

This unit, sometimes referred to as the 'Hair and Lint Pot', is the unit in front of the volute. Inside the chamber is the basket which must be kept clean of leaves and debris at all times. View basket through the 'See Through Lid' to inspect for leaves and debris.

Regardless of the length of time between filter cleaning, it is most important to visually inspect the hair and lint pot basket at least once a week. A dirty basket will reduce the efficiency of the filter and heater and also put an abnormal stress on the pump motor which would result in a costly repair bill.

⚠ CAUTION

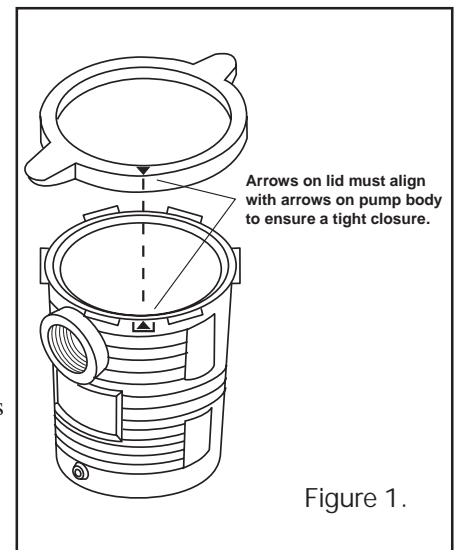
To prevent damage to the pump and filter and for proper operation of the system, clean pump strainer and skimmer baskets regularly.

NOTE

It is important that the O-ring be kept clean and well lubricated. We recommend a silicone base lubricant for best results.

B. CLEANING PROCEDURES.

1. Turn off motor.
2. Relieve pressure in the system.
3. Turn the clamp and lid in a counter-clockwise direction until it stops.
4. Lift the clamp and lid set to remove the clamp and lid.
5. Remove plastic basket and empty debris.
6. Replace the basket, fill the pot with water.
7. Reinstall the lid by placing the clamp and lid on the pot so that the indicated range is slightly counter-clockwise of the arrow on the volute. Make sure the lid O-ring is properly placed.
8. Seat the clamp and lid and turn it clockwise. Turn until the lid is clamped onto the pot, see Figure 1. Hand-tighten until the indicator arrow on the volute is within the range indicated on the clamp ring.



⚠ WARNING



THIS FILTER OPERATES UNDER HIGH PRESSURE. WHEN ANY PART OF THE CIRCULATING SYSTEM (e.g., LOCK RING, PUMP, FILTER, VALVES, ETC.) IS SERVICED, AIR CAN ENTER THE SYSTEM AND BECOME PRESSURIZED. PRESSURIZED AIR CAN CAUSE THE LID TO BLOW OFF WHICH CAN RESULT IN SEVERE INJURY, DEATH, OR PROPERTY DAMAGE. TO AVOID THIS POTENTIAL HAZARD, FOLLOW THESE INSTRUCTIONS.

9. Open the High Flow™ manual air relief valve on top of the filter.
10. Stand clear of the filter. Start the pump.
11. Bleed air from the filter until a steady stream of water comes out. Close the High Flow™ manual air relief valve.

For additional information use restart instructions for your filter.

If pump is installed below the water level of the pool, close return and suction lines prior to opening hair and lint pot on pump. Make sure to re-open valves prior to operating.

DO NOT run the pump dry. If the pump is run dry, the mechanical seal will be damaged and the pump will start leaking. If this occurs, the damaged seal must be replaced.

ALWAYS maintain proper water level in your pool (half way up skimmer opening). If the water level falls below the skimmer opening, the pump will draw air through the skimmer, losing the prime and causing the pump to run dry, resulting in a damaged seal.

Continued operation in this manner could cause a loss of pressure, resulting in damage to the pump case, impeller and seal.

C. PRIMING THE PUMP.

1. Remove the lid from the pump strainer and fill the pot with water at least to the level of the suction line.
2. Replace the lid. Make sure the O-ring is in place, and tighten by hand. See Section I.B., above.
3. The pump will now prime. The priming time will depend on the suction lift and horizontal distance of the suction piping.

D. ELECTRIC MOTOR.

1. Protect from heat.
 - a. Shade the motor from the sun.
 - b. Any enclosure must be well ventilated to prevent overheating.
 - c. Provide ample cross ventilation.
2. Protect against dirt.
 - a. Protect from any foreign matter or splashing water.
 - b. Do not store (or spill) pool chemicals near the motor.
 - c. Avoid sweeping or stirring up dust near the motor while it is operating.
 - d. If a motor has been damaged by dirt it voids the motor warranty.
3. Protect against moisture.
 - a. Protect from splashing pool water.
 - b. Protect from the weather.
 - c. Protect from lawn sprinklers.
 - d. If a motor has become wet - let it dry before operating.
 - e. If a motor has been damaged by water it voids the motor warranty.

NOTE

DO NOT wrap motor with plastic or other air tight materials. The motor may be covered during a storm, for winter storage, etc., but never when operating, or expecting operation.

NOTE

When replacing the motor, be certain that the motor support is correctly positioned to support the size of motor being installed.

E. THE SHAFT SEAL.

1. The Shaft Seal consists primarily of two parts, a rotating member and a ceramic seal.
2. The pump requires little or no service other than reasonable care, however, a Shaft Seal may occasionally become damaged and must be replaced.

⚠ CAUTION

The polished and lapped faces of the seal could be damaged if not handled with care.

⚠ CAUTION

In mild climate area, when temporary freezing conditions may occur, run your filtering equipment all night to prevent freezing.

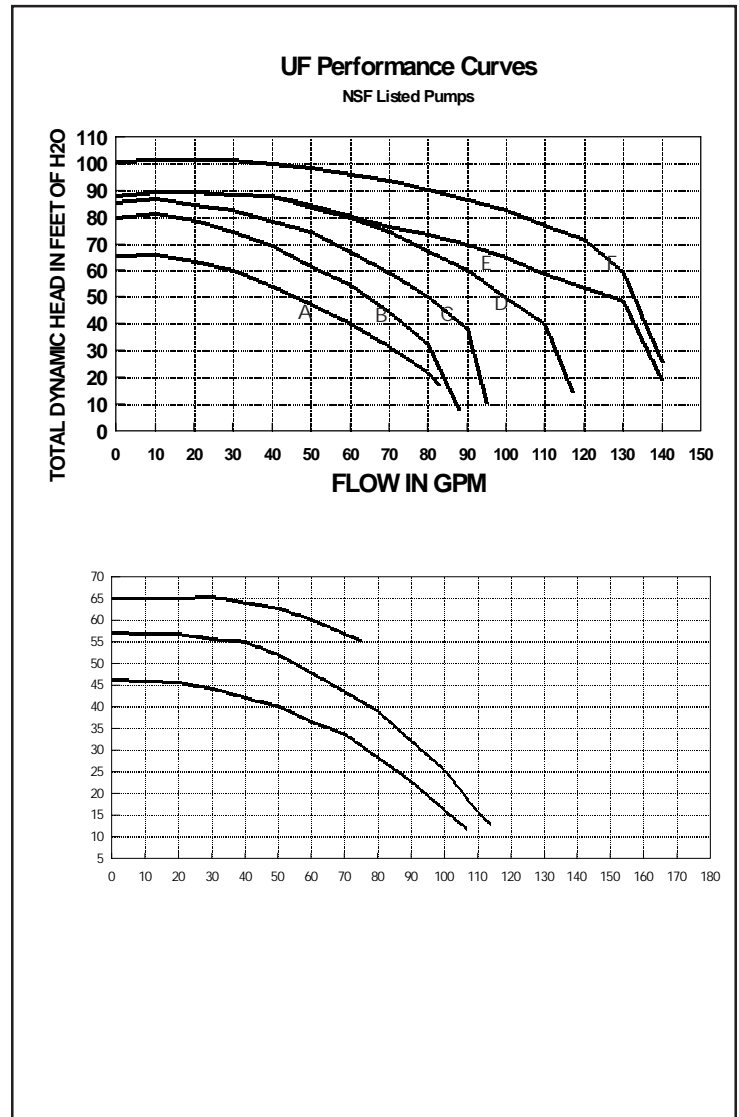
SECTION II. TROUBLESHOOTING.

A. FAILURE TO PUMP.

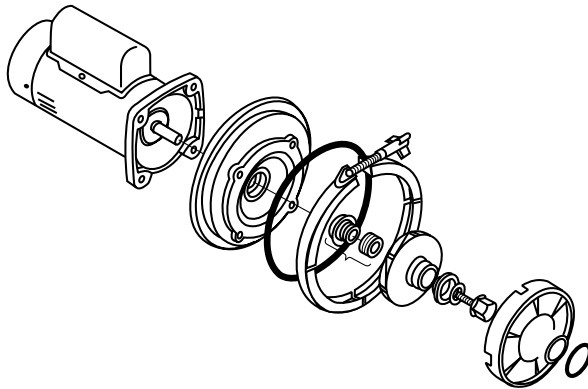
1. Pump will not prime - too much air. - Remedy:
 - a. Check suction piping and valve glands on any suction gate valves.
 - b. Secure lid on pump strainer pot and make sure lid gasket is in place.
 - c. Check water level to make sure skimmer is not drawing air.
2. Pump will not prime--not enough water. - Remedy:
 - a. Make sure suction lines, pump strainer, and pump volute are full of water.
 - b. Make sure valve on suction line is working and open, (some systems do not have valves).
 - c. Check water level to make sure water is available through skimmer.
3. Pump strainer clogged. - Remedy:
 - a. Clean pump strainer pot.
4. Pump strainer gasket defective. - Remedy:
 - a. Replace gasket.

B. REDUCED CAPACITY AND/OR HEAD.

1. Air pockets or leaks in suction line. - Remedy:
 - a. See item A.1. of this section, above.
2. Clogged impeller. Remedy:
 - a. Turn off electrical power to the pump.
 - b. Remove the clamp that holds the volute to the seal plate.
 - c. Slide the motor and seal plate away from the volute.
 - d. Clean debris from impeller. If debris cannot be removed, complete the following steps.
 - (1) Remove left hand thread anti-spin bolt and O-ring.
 - (2) Remove, clean and reinstall impeller.
 - (3) Reinstall anti-spin bolt and O-ring.
 - e. Reinstall weir-ring, diffuser, and O-ring.
 - f. Reinstall motor and seal plate into volute aligning with keyway at top of volute.
 - g. Reinstall clamp around seal plate and volute and tighten securely.
3. Pump strainer clogged. - Remedy:
 - a. Clean suction trap.



SECTION III. REPLACEMENT PARTS



Item No.	Part No.	Description
1	357143	Seal plate, Almond
1	357142	Seal plate, kit, Almond
2	39702000	Seal 1000
3	98220500	Nut, 3/8-16 hex
4	98220600	Washer, lock, 3/8, S/S
5	39005610	Anti-spin impeller kit, 1/2 hp 60 Hz
5	39005010	Anti-spin impeller kit, 3/4 hp 60 Hz, 1/2 hp 50 Hz
5	39005110	Anti-spin impeller kit, 1 hp 60 Hz, 3/4 hp 50 Hz
5	39005210	Anti-spin impeller kit, 1 1/2 hp 60 Hz, 1 hp 50 Hz
5	39005310	Anti-spin impeller kit, 2 hp 60 Hz, 1 1/2 hp 50 Hz
5	39005410	Anti-spin impeller kit, 3 hp 60 Hz, 2 hp 50 Hz
5	39099910	Anti-spin impeller kit, 3 hp 50 cycle
5	39015010	Anti-spin impeller kit, 3/4 hp UR high flow
5	39015110	Anti-spin impeller kit, 1 hp UR high flow
5	39015210	Anti-spin impeller kit, 1 1/2 hp UR high flow
5	39015310	Anti-spin impeller kit, 2 hp UR high flow
5	39015410	Anti-spin impeller kit, 2 1/2 hp UR high flow
6	39009900	Screw, impeller lock, left hand thread
7	39010000	O-ring for impeller lock
8	39005500	Diffuser, 1/2 to 1 1/2 hp
8	39015500	Diffuser, 2 and 3 hp
9	39006900	Weir ring
10	39006600	Gasket, diffuser
11	39006000	O-ring, volute

Item No.	Part No.	Description
12	357140	Volute, 2 in., Almond
13	39006200	Clamp assembly, volute
14	39302700	Knob, clamp
15	357139	Base, Almond
16	98210300	Washer, flat 3/8 in.
17	98219800	Bolt, 5/16-18 x 1 in.
18	39501200	Gasket, pot to volute
19	357138	Pot, 1 1/2 in., w/weir ring, Almond
19	357137	Pot, 2 in., w/weir ring, Almond
20	98201800	Bolt, 1/4-20 x 1 3/4 in.
21	39303500	Basket
22	39300600	O-ring, lid
23	39301700	Lid
24	39105000	Locking ring, pot lid
25	357136	Plug, 1/4 in. with O-ring, Almond
26	39007200	Ring, reinforcing, for 2 in. ports
26	39204600	Ring, reinforcing, for 1 1/2 in. ports
	357135	Flange, 1 1/2 in. booster, Almond
	98208300	Screw, HH 1/4-20 x 7/8
	51008500	Flat washer, 1/4 in.
	39302800	Clamp only
	98220500	Nut, 3/8-16 brass
	98220600	Washer, lock 3/8 in. s/s
A	357134	Support, motor, rear, Almond
B	357133	Support, motor, front, Almond

Pentair Pool Products Ultra-Flow™ Circulating Pump Limited Warranty

Pentair Pool Products manufactures its Ultra-Flow™ circulating pumps under high standards of workmanship and with high quality materials. Accordingly, Pentair Pool Products expressly warrants those pump models as follows:

WARRANTY COVERAGE - All pump component parts actually manufactured by Pentair Pool Products, and the pump's respective motor is warranted to be free from defects in material and/or workmanship for a period of three (3) years from date of purchase. The obligation of Pentair Pool Products under this warranty will be limited to either repair or replacement of the product, at Pentair Pool Products' option.

EXCLUSIONS FROM THIS WARRANTY - This warranty does not cover:

1. Any item manufactured by other companies and installed by Pentair Pool Products. Such items may carry warranties offered by the original manufacturer.
2. Problems resulting from oversizing of pump and/or reduction of valve piping size, or from failure to turn pump off before changing the position of the filter valve or any operating valves for the pool and its accessories.
3. Problems resulting from failure to comply with instructions contained in the Owner's Manual.
4. Problems resulting from abuse, misuse, negligence or accident by any party other than Pentair Pool Products, such as but not limited to, damage to parts caused by installers, damage to pump parts caused by 'dry' operation (loss of prime or obstruction in plumbing lines).
5. Problems resulting in whole or in part from alteration or modification of the filter by any party.
6. Failures due to chemical corrosion caused by failure to maintain the water chemistry in conformity with the standard of the swimming pool and spa industry.

WARRANTY OBLIGATIONS OF PENTAIR POOL PRODUCTS - Should a defect in workmanship and/or material in any item covered by this warranty become evident during the term of the warranty, then upon the consumer following the procedures set forth below, Pentair Pool Products will, at its option, repair or replace such item or part at its own cost and expense.

Pentair Pool Products is not, however responsible under this warranty for any cost of shipping or transportation of the filter or part thereof to or from the service department. Also, Pentair Pool Products is not liable for any loss of time, inconvenience, incidental expenses such as telephone calls, labor or material charges incurred in connection with the removal or replacement of the equipment, or any other incidental or consequential damages. **PLEASE NOTE:** Some states do not allow the exclusion or limitation of incidental or consequential damages, so the above limitation or exclusion may not apply to you.

PROCEDURE FOR OBTAINING PERFORMANCE: In order to obtain the benefits of this warranty the consumer who made the original retail purchase will contact Pentair Pool Products Customer Service Department, 10951 W. Los Angeles Ave., Moorpark, CA 93021 as soon as possible after discovery of the defect, but in no event later than the expiration date of the warranty period provided in this warranty. Upon receipt of this communication, Pentair Pool Products will promptly notify the customer of the address to which the defective item may be shipped. The customer shall then ship the item, freight prepaid, to the address indicated together with a letter stating the model number, serial number, and the date of purchase of the item which is claimed to be defective, and the name and address of the consumer and a brief description of the problems encountered.

WARRANTY PROTECTS ORIGINAL PURCHASER: This warranty extends to the consumer who made the original retail purchase only and is not enforceable by any other party.

WARRANTIES OR REPRESENTATIONS BY OTHERS: No dealer or other person has any authority to make any warranties or representations concerning Pentair Pool Products or its products. Accordingly, Pentair Pool Products is not responsible for any such warranties or representations.

OTHER RIGHTS: This warranty gives you specific legal rights and you may also have other rights which vary from state to state.



SAVE THESE INSTRUCTIONS.

Manual del Propietario de la Bomba Ultra-Flow™

INSTRUCTIVOS IMPORTANTES DE SEGURIDAD LEA Y SIGA TODOS LOS INSTRUCTIVOS PROTEJA ESTOS INSTRUCTIVOS

Índice

SECCIÓN I.	INFORMACIÓN GENERAL	8
SECCIÓN II.	LOCALIZACIÓN DE FALLAS	10
SECCIÓN III.	REPUESTOS	12

ADVERTENCIA

Antes de instalar esta bomba Ultra-Flow™ de Pentair Pool Products, lea y siga todos los avisos de advertencia y los instructivos que acompañan a esta bomba. El no apegarse a los avisos de seguridad y a los instructivos podría dar por resultado una lesión grave, la muerte o daños a la propiedad. Comuníquese con su proveedor local para obtener ejemplares gratuitos o llame a Pentair Pool Products al (805) 523-2400.

Aviso Importante



A la atención del instalador(a):
Este manual contiene información importante sobre la instalación, operación y uso en forma segura de este producto. Esta información debe dársele al dueño(a) / operador(a) de este equipo.

ADVERTENCIA



Riesgo de choque eléctrico o electrocución.
Esta bomba de agua para piscinas tiene que instalarse por un electricista con licencia o certificación o por un técnico calificado en servicios a piscinas y de acuerdo con el Código Eléctrico Nacional (EE. UU.) y todos los códigos y reglamentos locales respectivos. La instalación inadecuada creará un riesgo eléctrico que podría resultar en la muerte o en lesiones graves a los usuarios de la piscina, a los instaladores o a otras personas debido a un choque eléctrico, y también podría causar daños a la propiedad. Siempre desconecte la alimentación eléctrica a la bomba de la piscina en el disyuntor antes de darle servicio a la bomba. El no hacerlo podría resultar en la muerte o en una lesión grave de la persona que esté dando el servicio, de los usuarios o de otras personas debido a un choque eléctrico.



Listado
227T



Certificado
LR60957



Listado



Cuand
una pi
orejeta

NOTA

te a menos de 1.5 m (5 pies) de distancia de las paredes interiores de
de calibre número 8 AWG (3.3 mm) o más grande para conectarla a la

Para
cerca

ADVERTENCIA

ie los niños usen este producto a no ser que estén siendo supervisados de

PRECAUCIÓN

bomba es para
caliente (hot ti
n desmontar y
edificio de f
uida de tal

n piscinas instaladas en forma permanente y también podrá usarse con tinas de hidromasaje de
bañeras de hidromasaje (spas) si así se indica en la propia bomba. No la use en piscinas que se
Una piscina instalada en forma permanente es una que está construida dentro o sobre la tierra o
que no se puede desarmar fácilmente para guardarse. Una piscina que se puede guardar está
se puede desarmar fácilmente para guardarse y volverse a armar a su integridad original y queTJT0.0oesm. par

7. Vuelva a instalar la tapa colocando la abrazadera y la tapa en el depósito de tal manera que la distancia indicada quede un poco más allá de la flecha (en sentido contrario a las manecillas del reloj) en la espiral. Cerciórese de que el empaque redondo esté ubicado en su lugar adecuado.
8. Asiente la abrazadera y la tapa y gírelas en sentido de las manecillas del reloj. Gírelas hasta que la tapa quede abrazada al depósito (vea la figura 1). Apriétela con las manos hasta que la flecha indicadora en la espiral esté dentro de la distancia indicada en el aro de la abrazadera.

⚠ ADVERTENCIA



ESTE FILTRO FUNCIONA A ALTA PRESIÓN. CUANDO SE LE DA SERVICIO A ALGUNA PARTE DEL SISTEMA DE CIRCULACIÓN (POR EJEMPLO: ARO DE CIERRE, BOMBA, FILTRO, VÁLVULAS, ETC.), PUEDE ENTRARLE AIRE AL SISTEMA Y PRESURIZARSE. EL AIRE PRESURIZADO PUEDE VOLAR LA TAPA, LO QUE PODRÍA DAR POR RESULTADO UNA LESIÓN GRAVE, LA MUERTE O DAÑOS A LA PROPIEDAD. PARA EVITAR ESTE POSIBLE RIESGO, SIGA ESTOS INSTRUCTIVOS.

9. Abra la válvula de descarga de aire en la parte superior del filtro.
10. Aléjese del filtro. Arranque la bomba.
11. Purgue el aire del filtro hasta que salga un chorro de agua estable. Cierre la válvula de descarga de aire.

Para información adicional, use los instructivos para volver a arrancar su filtro.

Si la bomba está instalada por debajo del nivel de agua de la piscina, cierre las tuberías de retorno y de succión antes de abrir el depósito de cabello y pelusa en la bomba. Cerciórese de volver a abrir las válvulas antes de hacerla funcionar.

NO HAGA funcionar la bomba en seco. Si se hace funcionar a la bomba en seco, el sello mecánico se dañará y ocurrirá una fuga externa. Cuando esto sucede se tiene que cambiar el sello dañado.

SIEMPRE mantenga el nivel de agua adecuado en su piscina (hasta la mitad de la abertura del sumergidor). Si el nivel de agua se reduce por debajo de la abertura del sumergidor, la bomba comenzará a jalar aire a través del sumergidor, perdiendo el cebado y causando que la bomba funcione en seco, lo que resultará en un sello dañado.

Si se continúa la operación en esta manera se podría causar una pérdida de presión y daños al bastidor o envoltura de la bomba, al Impulsor y al sello.

C. CEBADO DE LA BOMBA

1. Quite la tapa del colador de la bomba y llene el depósito con agua hasta por lo menos el nivel de la tubería de succión.
2. Vuelva a colocar la tapa. Cerciórese de que el empaque redondo esté en su lugar y apriete la tapa con las manos. Vea la sección I.B., arriba.
3. Ahora la bomba se cebará. El tiempo de cebado dependerá de la fuerza de succión y de la distancia horizontal de la tubería de succión.

D. MOTOR ELÉCTRICO

1. Protéjalo contra el calor.
 - a. Cerciórese de que el motor esté bajo la sombra.
 - b. Cualquier recinto tiene que estar bien ventilado para evitar el sobrecalentamiento.
 - c. Déle suficiente ventilación cruzada.
2. Protéjalo contra el polvo y la mugre.
 - a. Protéjalo contra cualquier material extraño o salpicaduras de agua.
 - b. No guarde (ni derrame) las sustancias químicas que se usan en las piscinas cerca del motor.
 - c. Evite barrer o levantar polvo cerca del motor cuando éste esté andando.
 - d. Si un motor se daña debido a la mugre, entonces se anula la garantía del motor.
3. Protéjalo contra la humedad
 - a. Protéjalo contra las salpicaduras de agua de la piscina.

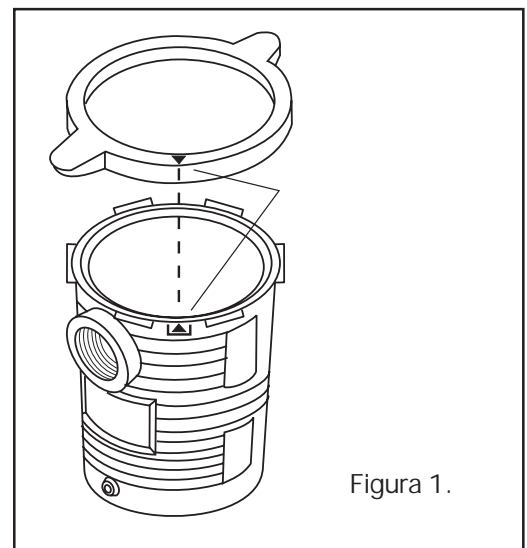


Figura 1.

- b. Protéjalo contra el clima.
- c. Protéjalo contra los rociadores de jardín.
- d. Si el motor se llega a mojar - déjelo secar antes de echarlo a andar.
- e. Si un motor se daña debido al agua, entonces se anula la garantía del motor.

NOTA

No envuelva el motor con plástico ni con otros materiales herméticos. El motor puede cubrirse durante una tormenta, o para guardarse durante el invierno, etc., pero nunca cuando esté funcionando o cuando se espera que comience a funcionar en un momento dado.

NOTA

Cuando reemplace el motor, cerciórese de que el soporte del motor esté ubicado en la posición correcta para soportar el tamaño del motor que se esté instalando.

E. EL SELLO DEL EJE

1. El sello del eje consiste principalmente de dos partes, una porción giratoria y un sello de cerámica.
2. La bomba requiere de muy poco servicio, o nada, aparte de un cuidado razonable, sin embargo el sello del eje podría dañarse de vez en cuando y tiene que cambiarse.

PRECAUCIÓN

Las caras del sello están pulidas y bruñidas por lo que podrían dañarse si no se les trata con cuidado.

PRECAUCIÓN

En zonas con climas templados, cuando pueden ocurrir condiciones temporales de congelación, haga funcionar su equipo de filtrado toda la noche para evitar que éste se congele.

SECCIÓN II. LOCALIZACIÓN DE FALLAS

A. NO HAY BOMBEO

1. La bomba no se ceba - demasiado aire.
 - a. Remedio:
 - (1) Revise la tubería de succión y las glándulas de la válvula en todas las válvulas de entrada de succión que haya.
 - (2) Asegure la tapa en el colador de la bomba y cerciórese de que el empaque de la tapa esté en su sitio.
 - (3) Revise el nivel del agua para asegurarse de que el sumergidor no esté jalando aire.
2. La bomba no se ceba - falta de agua.
 - a. Remedio:
 - (1) Cerciórese de que las tuberías de succión, el colador de la bomba y la voluta de la bomba estén llenos de agua.
 - (2) Cerciórese de que la válvula en la tubería de succión esté funcionando y esté abierta, (algunos sistemas no tienen válvulas).
 - (3) Verifique el nivel de agua para cerciorarse de que hay agua disponible a través del sumergidor.
3. Colador de la bomba tapado.
 - a. Remedio:
 - (1) Limpie el depósito del colador de la bomba.
4. Empaque defectuoso del colador de la bomba.
 - a. Remedio:
 - (1) Cambie el empaque.

B. CAPACIDAD Y/O ALTURA DE ELEVACIÓN REDUCIDOS

1. Bolsas de aire o fugas en la tubería de succión

a. Remedio:

- (1) Vea el artículo A.1. de esta sección, arriba.

2. Impulsor tapado

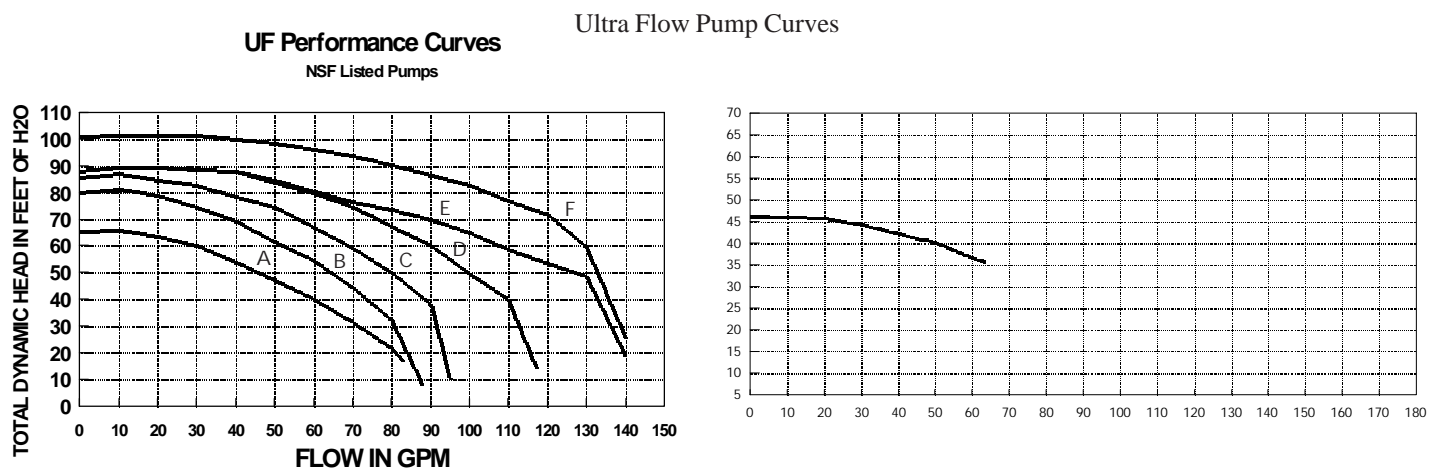
a. Remedio:

- (1) Apague la alimentación eléctrica de la bomba.
- (2) Quite la abrazadera que sostiene la voluta junto a la placa del sello.
- (3) Deslice el motor y la placa del sello alejándolos de la voluta.
- (4) Limpie los desperdicios del Impulsor. Si no se pueden quitar los desperdicios, lleve a cabo todos los siguientes pasos:
 - (a) Quite el perno anti-giro de rosca izquierda y el empaque redondo
 - (b) Quite, limpie y vuelva a colocar el rotor.
 - (c) Vuelva a instalar el perno anti-giro y el empaque redondo,
- (5) Reinstale el aro de vertedero, el difusor y el empaque redondo.
- (6) Reinstale el motor y la placa de sello dentro de la voluta alineándolos con la ranura de chaveta en la parte de arriba de la voluta.
- (7) Reinstale la abrazadera alrededor de la placa del sello y de la voluta y apriételes bien.

3. Colador de la bomba tapado

a. Remedio:

- (1) Limpie la trampa de succión.



Garantía Limitada de las Bombas de Circulación Ultra-Flow™ de Pentair Pool Products

Pentair Pool Products fabrica sus bombas de circulación Ultra-Flow™ bajo normas estrictas de mano de obra y materiales de alta calidad. En vista de lo anterior, Pentair Pool Products garantiza expresamente dichos modelos de bombas de la siguiente manera:

COBERTURA DE LA GARANTÍA - Todas las partes de los componentes de las bombas que de hecho estén fabricados por Pentair Pool Products, así como el motor respectivo de las bombas, están garantizados de estar libres de defectos en sus materiales y/o mano de obra durante un plazo de tres (3) años a partir de la fecha de compra. La obligación de Pentair Pool Products bajo esta garantía estará limitada a la reparación o al reemplazo del producto, a opción de Pentair Pool Products.

EXCLUSIONES DE ESTA GARANTÍA - Esta garantía no cubre:

1. Cualquier artículo fabricado por otras compañías e instalado por Pentair Pool Products. Dichos artículos pueden tener sus propias garantías por parte de los fabricantes originales.
2. Los problemas que resulten por usar una bomba demasiado grande y/o por reducir el tamaño de la tubería de la válvula, o por no haber apagado la bomba antes de cambiar la posición de la válvula del filtro o de cualquier válvula de funcionamiento de la piscina y sus accesorios.
3. Los problemas que resulten por no cumplir con los instructivos contenidos en el Manual del Propietario.
4. Problemas que resulten del abuso, mal uso, negligencia o accidente de cualesquiera de las partes que no sea Pentair Pool Products, tales como, pero sin limitarse a, daños a las partes causados por los instaladores, daños a las partes de la bomba causados por hacerla funcionar «en seco» (pérdida del cebado u obstrucción en las tuberías de la plomería.)
5. Problemas ocasionados total o parcialmente por la alteración o modificación del filtro por algún tercero.
6. Fallas debidas a la corrosión química causada por no mantener el estado químico del agua de acuerdo con las normas de la industria de piscinas y de bañeras de hidromasaje (spas).

OBLIGACIONES DE LA GARANTÍA DE PENTAIR POOL PRODUCTS - Si algún defecto en la mano de obra y/o en los materiales de cualquier artículo cubierto por esta garantía se hiciese evidente durante el plazo de la garantía, entonces tras el apego a los procedimientos indicados abajo por parte del consumidor, Pentair Pool Products reparará o reemplazará, a su entera opción, dicho artículo o parte por cuenta y gasto propios.

Sin embargo, Pentair Pool Products no es responsable bajo esta garantía de cualquier costo de envío o transporte del filtro o de una de las partes del mismo desde o hasta el departamento de servicio. Además, Pentair Pool Products no será responsable por cualquier pérdida de tiempo, inconveniente, gastos incidentales tales como llamadas telefónicas, mano de obra o cargos por materiales incurridos en relación con la remoción o reemplazo del equipo, ni por cualesquiera otros daños incidentales o emergentes. **POR FAVOR TOME NOTA:** Algunos estados (de la Unión Americana) no permiten la exclusión o limitación de daños incidentales o emergentes, de manera que la limitación o exclusión anterior podría no aplicarse a su caso.

PROCEDIMIENTO A SEGUIR: Para poder obtener los beneficios de esta garantía, el consumidor que haya hecho la compra al menudeo original deberá comunicarse con Pentair Pool Products Customer Service Department, 10951 W. Los Angeles Ave., Moorpark, CA 93021, Estados Unidos, tan pronto como le sea posible después de descubrir el defecto, pero bajo ningún motivo después de la fecha de caducidad del plazo garantizado por esta garantía. Tras la recepción de esta comunicación, Pentair Pool Products notificará rápidamente al cliente del domicilio al cual deberá enviar el artículo defectuoso. El cliente deberá entonces enviar el artículo, con el flete pagado, al domicilio indicado junto con una carta indicando el número de modelo, número de serie y fecha de compra del artículo que se reclama como defectuoso, y el nombre y domicilio del consumidor y una descripción breve del problema que se descubrió.

LA GARANTÍA PROTEGE AL COMPRADOR ORIGINAL: Esta garantía se extiende únicamente a favor del consumidor que hizo la compra al menudeo original y no se puede hacer valer por ningún tercero.

GARANTÍAS O REPRESENTACIONES DE TERCEROS: Ningún distribuidor ni persona alguna tiene autorización de dar garantías o representaciones concernientes a Pentair Pool Products ni a los productos de la misma. De acuerdo con ello, Pentair Pool Products no será responsable por ninguna de esas garantías o representaciones.

OTROS DERECHOS: Esta garantía le otorga derechos específicos legales y usted podría tener algunos otros derechos que varían según el estado (de la Unión Americana) en el que usted resida.



PROTEJA ESTOS INSTRUCTIVOS

Notice d'emploi de la pompe Ultra-Flow™

CONSIGNES DE SÉCURITÉ IMPORTANTES PRIÈRE DE LIRE ET D'OBSERVER TOUTES LES CONSIGNES CONSERVER CES CONSIGNES

Table des matières

SECTION I.	GÉNÉRALITÉS	15
SECTION II.	DÉPANNAGE	17
SECTION III.	PIÈCES DE RECHANGE	19

AVERTISSEMENT

Avant d'installer cette pompe Ultra-Flow™ d'Pentair Pool Products, prière de lire et de suivre tous les avertissements et instructions qui l'accompagnent. Toute infraction aux consignes de sécurité et d'emploi risque de provoquer blessures graves, décès ou dégâts matériels. Pour obtenir des exemplaires gratuits, prière de s'adresser au fournisseur local ou d'appeler Pentair Pool Products au (805) 523-2400.

Avis important



À l'attention de l'installateur :

La présente notice contient des renseignements importants sur l'installation, le fonctionnement et l'utilisation de ce produit en toute sécurité. Prière de fournir ces informations au propriétaire et (ou) à l'opérateur de ce matériel.

AVERTISSEMENT



Danger de choc électrique ou d'électrocution.

Cette pompe de piscine doit obligatoirement être installée par un électricien agréé ou breveté ou par un technicien qualifié dans la maintenance des piscines conformément au Code national de l'électricité et à tous les codes et ordonnances locaux applicables. Une installation incorrecte risque de créer un danger électrique pouvant provoquer le décès ou des dommages corporels graves pour les utilisateurs de la piscine, les installateurs ou d'autres personnes par suite d'un choc électrique et pouvant également entraîner des dégâts matériels. Sous peine de provoquer le décès ou des blessures graves pour le technicien de maintenance, les utilisateurs de la piscine ou d'autres personnes par suite d'un choc électrique, veiller à toujours déconnecter la pompe de la piscine du secteur au niveau du disjoncteur avant de procéder à l'entretien ou à la réparation de la pompe.



Inscrit sur
la liste
227T



Certifié
LR60957



Composant
inscrit sur la liste



Remarque

Lorsque la pompe est définitivement montée à moins de 1,5 mètre (5 pieds) des murs intérieurs d'une piscine, utiliser obligatoirement un conducteur de calibre n° 8 AWG (3,3 mm) ou plus gros pour la raccorder à la cosse du conducteur de masse.

AVERTISSEMENT

Pour réduire les risques de danger, ne pas laisser les enfants utiliser ce produit à moins de les surveiller de près en permanence.

ATTENTION

Cette pompe est destinée à être utilisée avec des piscines installées à demeure. Elle peut également être employée avec des cuves thermales et des bains tourbillon si elle est marquée à cet effet. Ne pas l'utiliser avec des piscines entreposables. Une piscine installée à demeure est construite dans ou sur le sol ou dans un bâtiment de manière à ne pas pouvoir être facilement démontée en vue de rangement. Une piscine entreposable est conçue pour pouvoir être aisément démontée pour rangement et réassemblée comme à l'origine. Elle a 5,49 m (18 pieds) de dimension maximale et 1,07 m (42 pouces) de hauteur de mur maximale.

ATTENTION

Ne pas installer les pompes de cuves thermales et de bains tourbillon dans une enceinte fermée extérieure ou au-dessous du tablier de la cuve ou du bain à moins qu'elles ne portent une indication qui le permette.

SECTION I. GÉNÉRALITÉS

A. LE FILTRE À CHEVEUX ET À CHARPIE DE LA POMPE

Cette unité se trouve en avant de la volute de la pompe. À l'intérieur de la cuvette se trouve un panier qu'il convient de garder continuellement vide de toutes feuilles ou débris. Examiner ce panier à travers le « couvercle transparent » afin de vérifier qu'il ne contient ni feuilles, ni débris.

Quelle que soit la durée des intervalles entre nettoyages du filtre, il est absolument essentiel d'examiner visuellement le panier du filtre à cheveux et à charpie au moins une fois par semaine. Un panier sale réduit en effet l'efficacité du filtre et de l'appareil de chauffage et soumet le moteur de la pompe à des efforts anormaux, ce qui risque d'entraîner des frais de réparation élevés.

ATTENTION

Pour prévenir tout dommage de la pompe et du filtre et pour assurer le fonctionnement correct du système, nettoyer les paniers du filtre à cheveux et à charpie de la pompe et de l'écumoire à intervalles réguliers.

Remarque

Il est essentiel de garder le joint torique propre et bien lubrifié. Pour obtenir les meilleurs résultats, utiliser un lubrifiant à base de silicone.

B. PROCÉDURES DE NETTOYAGE

1. Mettre le moteur à l'arrêt.
2. Faire tomber la pression du système.
3. Tourner la bague de serrage et le couvercle à fond dans le sens inverse des aiguilles d'une montre.
4. Soulever l'ensemble bague et couvercle pour l'enlever.
5. Retirer le panier de plastique et le vider de ses débris.
6. Remettre le panier en place et remplir la cuvette d'eau.
7. Réinstaller le couvercle : à cet effet, placer la bague de serrage et le couvercle sur la cuvette de manière à ce que la portée indiquée se trouve légèrement déplacée dans le sens inverse des aiguilles d'une montre par rapport à la flèche de la volute. S'assurer que le joint torique du couvercle est correctement placé.
8. Bien faire reposer l'ensemble bague et couvercle et le tourner dans le sens des aiguilles d'une montre jusqu'à ce que le couvercle soit bien serré sur la cuvette (cf. figure 1). Serrer à la main jusqu'à ce que la flèche de la volute se trouve à l'intérieur de la portée indiquée sur la bague de serrage.

⚠ AVERTISSEMENT



CE FILTRE EST SOUS HAUTE PRESSION. LORS DE LA MAINTENANCE DE N'IMPORTE QUEL COMPOSANT DU SYSTÈME DE CIRCULATION (TEL QU'ANNEAU DE FERMETURE, POMPE, FILTRE, SOUPAPES, ETC.), ON RISQUE D'INTRODUIRE DE L'AIR DANS LE CIRCUIT ET DE LE COMPRIMER. OR L'AIR COMPRIMÉ PEUT FAIRE SAUTER LE COUVERCLE ET ENTRAÎNER PAR LÀ BLESSURES GRAVES, DÉCÈS OU DÉGÂTS MATÉRIELS. POUR PRÉVENIR CE DANGER, PRIÈRE D'OBSERVER CES DIRECTIVES.

9. Ouvrir la soupape de mise à l'air située sur le filtre.
10. Se tenir à l'écart du filtre et démarrer la pompe.
11. Purger l'air du filtre jusqu'à voir apparaître un jet continu d'eau. Fermer la soupape de mise à l'air.

Pour tous renseignements supplémentaires, se reporter aux consignes de redémarrage du filtre utilisé.

Si la pompe est installée au-dessous du niveau de l'eau dans la piscine, fermer les conduites de retour et d'aspiration avant d'ouvrir le filtre à cheveux et à charpie de la pompe. Veiller à rouvrir les soupapes avant de mettre le système en marche.

NE PAS faire fonctionner la pompe à sec, car cela risque d'endommager le joint mécanique et de provoquer des fuites, auquel cas il faudra remplacer le joint endommagé.

TOUJOURS maintenir le niveau d'eau qui convient dans la piscine (à mi-hauteur de l'ouverture de l'écumoire). Si le niveau de l'eau descend au-dessous de cette ouverture, la pompe aspirera de l'air à travers l'écumoire, ce qui lui fera perdre son liquide d'amorçage et la fera fonctionner à sec, endommageant ainsi le joint.

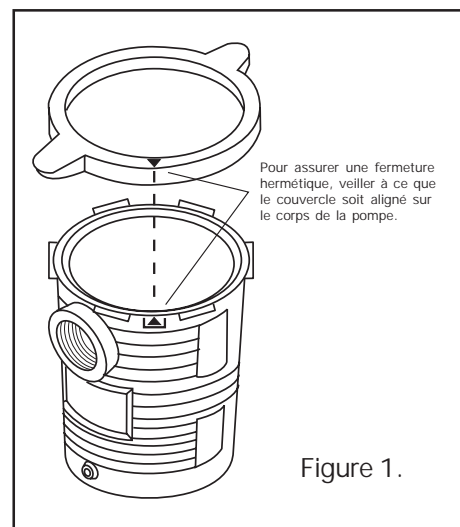
L'utilisation prolongée dans ces conditions pourrait entraîner une chute de pression, et par conséquent l'endommagement du corps, de la roue et du joint de la pompe.

C. AMORÇAGE DE LA POMPE

1. Retirer le couvercle du filtre à cheveux et à charpie de la pompe et remplir d'eau la cuvette de ce dernier au moins jusqu'au niveau de la conduite d'aspiration.
2. Réinstaller le couvercle en s'assurant que le joint torique est bien en place et serrer à la main. Voir la section I.B. ci-dessus.
3. La pompe s'amorce, la durée de l'amorçage étant fonction de la hauteur d'aspiration et de la distance horizontale de la conduite d'aspiration.

D. MOTEUR ÉLECTRIQUE

1. Protéger le moteur de la chaleur
 - a. Garder le moteur à l'ombre.
 - b. Veiller à ce que toute enceinte soit bien aérée afin de prévenir les surchauffes.
 - c. Prévoir une bonne ventilation transversale.
2. Protéger le moteur des débris
 - a. Le protéger de toutes particules étrangères ou éclaboussures d'eau.
 - b. Ne pas entreposer (ou renverser) de produits chimiques pour piscine à proximité du moteur.
 - c. Éviter de balayer ou de soulever de la poussière à proximité du moteur lorsqu'il est en marche.
 - d. Si un moteur a été endommagé par des débris, sa garantie sera automatiquement annulée.
3. Garder le moteur à l'abri de l'humidité
 - a. Le protéger des éclaboussures d'eau de la piscine.
 - b. Le protéger des intempéries.
 - c. Le protéger des arroseurs de jardin.
 - d. Si un moteur est mouillé, le laisser sécher avant de le mettre en marche.
 - e. Si un moteur a été endommagé par de l'eau, sa garantie sera automatiquement annulée.



REMARQUE

NE PAS envelopper le moteur de plastique ou d'autres matériaux d'emballage étanches à l'air. On peut cependant recouvrir le moteur en cas d'orage, pour l'hiver, etc., mais jamais lorsqu'il est en marche ou prêt à fonctionner.)

REMARQUE

En cas de remplacement du moteur, veiller à ce que son support soit correctement positionné de manière à soutenir le type de moteur que l'on installe.

E. LE JOINT D'ÉTANCHÉITÉ DE L'ARBRE

1. Ce joint est essentiellement constitué de deux éléments, un organe rotatif et un joint de céramique.
2. La pompe ne demande que très peu de soin ou pas plus qu'un entretien usuel. Il arrive cependant qu'un joint d'arbre soit endommagé et doit être remplacé.

ATTENTION

Les faces polies du joint à recouvrement sont facilement endommagées. Manipuler donc ce joint avec précaution.

ATTENTION

Dans les climats doux, lorsque des conditions de gel temporaire risquent de se présenter, faire fonctionner le matériel de filtration toute la nuit afin de l'empêcher de geler.

SECTION II. DÉPANNAGE

A. PANNE DE POMPAGE

1. La pompe ne s'amorce pas - trop d'air
 - a. Remède :
 - (1) Vérifier les conduites de suction et les glandes sur tous les soupapess-vannes de suction.
 - (2) Installer solidement le couvercle sur la cuvette du filtre à cheveux et à charpie de la pompe et s'assurer que son joint est bien en place.
 - (3) Vérifier le niveau de l'eau pour s'assurer que l'écumoire n'aspire pas d'air.
2. La pompe ne s'amorce pas - trop peu d'eau
 - a. Remède :
 - (1) Vérifier que les conduites d'aspiration et que le filtre à cheveux et à charpie et la volute de la pompe sont pleins d'eau.
 - (2) S'assurer que la soupape de la conduite d'aspiration fonctionne et qu'elle est ouverte (certains systèmes n'ont pas de soupapes).
 - (3) Vérifier le niveau de l'eau afin de s'assurer de la présence d'eau à travers l'écumoire.
3. Le filtre à cheveux et à charpie de la pompe est bouché
 - a. Remède :
 - (1) Nettoyer la cuvette de ce filtre.
4. Le joint du filtre à cheveux et à charpie de la pompe est défectueux
 - a. Remède :
 - (1) Remplacer le joint.

B. DÉBIT ET (OU) HAUTEUR D'ASPIRATION RÉDUITS

1. Poches ou fuites d'air dans la conduite d'aspiration
 - a. Remède :
 - (1) Voir ci-dessus l'alinéa A.1. de cette section.

2. Roue bouchée

a. Remède :

- (1) Mettre la pompe hors tension.
- (2) Retirer le collier qui retient la volute à la plaque d'étanchéité.
- (3) Faire glisser le moteur et la plaque d'étanchéité de manière à les séparer de la volute.
- (4) Nettoyer la roue de tous ses débris. Si cela est impossible, procéder comme suit :
 - (a) Ôter le boulon antirotation à filetage à gauche et le joint torique.
 - (b) Retirer, nettoyer et réinstaller la roue.
 - (c) Réinstaller le boulon antirotation et le joint torique.
- (5) Réinstaller la bague d'arrêt, le diffuseur et le joint torique.
- (6) Réinstaller le moteur et la plaque d'étanchéité dans la volute en veillant à les aligner sur la rainure en haut de cette dernière.
- (7) Réinstaller le collier de serrage autour de la plaque d'étanchéité et de la volute et serrer fermement,

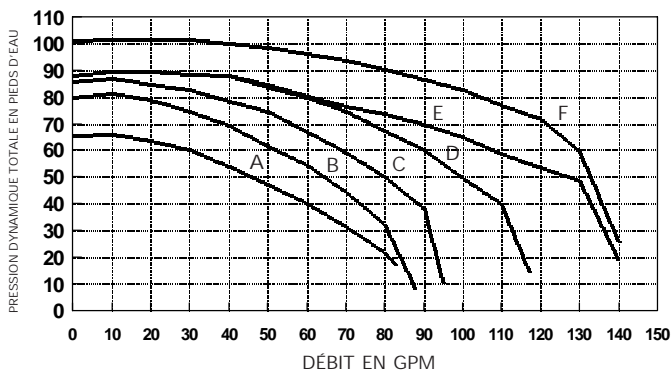
3. Filtre à cheveux et à charpie de la pompe bouché.

a. Remède :

- (1) Nettoyer le piège d'aspiration.

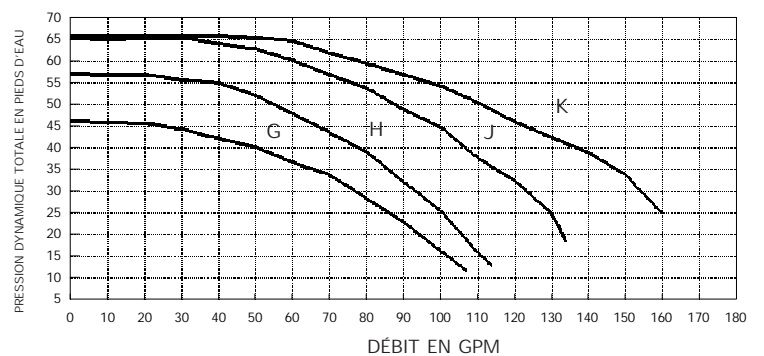
Curvas de bombeo de la Ultra-Flow™

Pompes Ultra Flow
NSF Listed Pumps

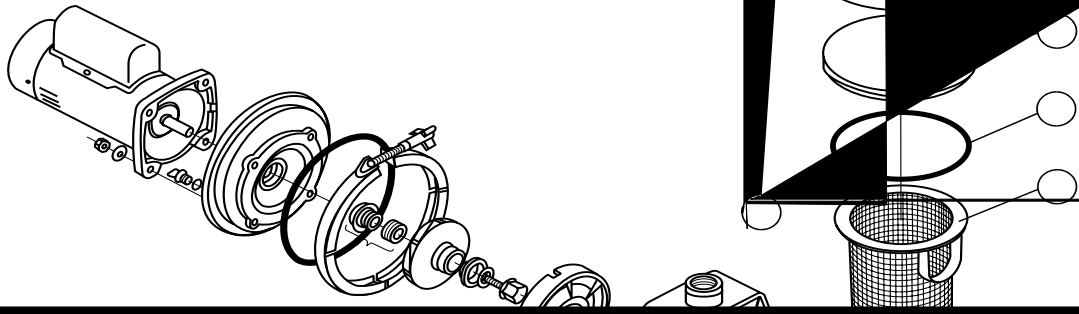


- | | |
|--|--------------------------|
| A = 1/2 hp full rated or 3/4 hp up rated | A- 1/2 HP plein régime |
| B = 3/4 hp full rated or 1 hp up rated | B- 3/4 HP plein régime |
| C = 1 hp full rated or 1 1/2 up rated | C- 1 HP plein régime |
| D = 1 1/2 full rated or 2 hp up rated | D- 1 1/2 HP plein régime |
| E = 2 hp full rated or 2 1/2 up rated | E- 2 HP plein régime |
| F = 3 hp full rated | F- 3 HP plein régime |

Pompes Ultra Flow à grand débit



- | |
|---------------------------|
| G = 3/4 hp UR High Flow |
| H = 1 hp UR High Flow |
| J = 1 1/2 hp UR High Flow |
| K = 2 1/2 hp UR High Flow |



Garantie limitée des pompes de circulation Ultra-Flow™ d'Pentair Pool Products

Pentair Pool Products construit ses pompes de circulation Ultra-Flow™ selon des normes de fabrication rigoureuses et avec des matériaux de grande qualité. Par conséquent, Pentair Pool Products garantit expressément ces modèles de pompe comme suit :

GARANTIE – Tous les composants des pompes fabriqués par Pentair Pool Products ainsi que les moteurs de ces pompes sont garantis contre tout vice de matière première et (ou) de fabrication pendant une période de trois (3) ans à compter de la date d'achat. L'obligation d'Pentair Pool Products au titre de cette garantie est limitée à la réparation ou au remplacement du produit, au choix d'Pentair Pool Products.

EXCLUSIONS – La présente garantie ne couvre pas :

1. Les articles fabriqués par d'autres entreprises et installés par Pentair Pool Products. Ces articles pourraient cependant être garantis par leurs fabricants.
2. Les problèmes résultant de l'emploi d'une pompe trop grande et (ou) de tuyauteries de section réduite, ou du fait que l'on a omis d'arrêter la pompe avant de changer la position de la soupape du filtre ou de toute soupape commandant le fonctionnement de la piscine ou de ses accessoires.
3. Les problèmes résultant du non-respect des consignes contenues dans le mode d'emploi.
4. Les problèmes résultant d'une mauvaise utilisation, d'une utilisation erronée, de la négligence ou d'un accident, causé par toute autre partie qu'Pentair Pool Products, y compris, sans que cela soit limitatif, les dégâts apportés aux pièces par les installateurs, ou les dommages des pièces de la pompe provoqués par une utilisation à sec (perte du liquide d'amorçage ou obstruction dans les conduites de pompage).
5. Les problèmes résultant en tout ou partie d'un changement ou d'une modification du filtre par qui que ce soit.
6. Les défauts dus à une corrosion chimique résultant du fait que la composition chimique de l'eau n'a pas été maintenue dans les normes de l'industrie des piscines et des bains tourbillon.

OBLIGATIONS D'PENTAIR POOL PRODUCTS AU TITRE DE LA GARANTIE – Si, dans un article couvert par la présente garantie, un défaut de fabrication et (ou) de matière première est constaté pendant la période de garantie, Pentair Pool Products s'engage à réparer ou à remplacer, à son choix et à ses propres frais, tout ou partie dudit article dès lors que le consommateur aura suivi la procédure décrite ci-dessous.

Pentair Pool Products n'est cependant pas responsable des frais d'expédition ou de transport de l'équipement ou de ses pièces à destination ou à partir du service de maintenance. Pentair Pool Products n'est pas non plus responsable des pertes de temps, inconvénients, frais indirects tels qu'appels téléphoniques, frais de main-d'oeuvre ou de matériaux liés à la dépose ou au remplacement de l'équipement, ou autres dommages indirects ou accessoires. **PRIÈRE DE NOTER** que certaines provinces ne permettant pas l'exclusion ou la limitation des dommages indirects ou accessoires, il est possible que ce qui précède ne s'applique pas dans tous les cas.

PROCÉDURE À SUIVRE : Pour bénéficier des avantages procurés par la présente garantie, le consommateur qui a effectué l'achat au détail initial devra s'adresser à Pentair Pool Products Customer Service Department (service clientèle d'Pentair Pool Products), 10951 W. Los Angeles Ave., Moorpark, CA 93021 aussitôt que possible après avoir découvert le défaut, mais en aucun cas après la date d'expiration de la garantie. Dès réception de cette communication, Pentair Pool Products indiquera rapidement au consommateur l'adresse à laquelle il lui faudra renvoyer l'article défectueux. Le consommateur devra alors expédier l'article, en port payé, à l'adresse indiquée en l'accompagnant d'une lettre indiquant le numéro du modèle, le numéro de série et la date d'achat de l'article présumé défectueux, ainsi que le nom et l'adresse du consommateur et une description succincte des problèmes rencontrés.

LA GARANTIE PROTÈGE L'ACHETEUR D'ORIGINE : La présente garantie ne protège que le consommateur qui a effectué l'achat au détail d'origine et à personne d'autre.

GARANTIES OU DÉCLARATIONS DE TIERS : Aucun dépositaire ou autre individu n'est habilité à avancer de garanties ou déclarations au sujet d'Pentair Pool Products ou de ses produits. Pentair Pool Products n'est donc aucunement responsable de telles garanties ou déclarations.

AUTRES DROITS : La présente garantie donne au consommateur des droits juridiques précis et celui-ci pourrait aussi bénéficier d'autres droits variant d'une province à l'autre.



CONSERVER CE MODE D'EMPLOI